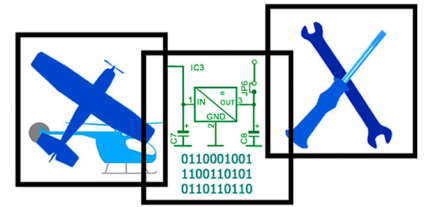
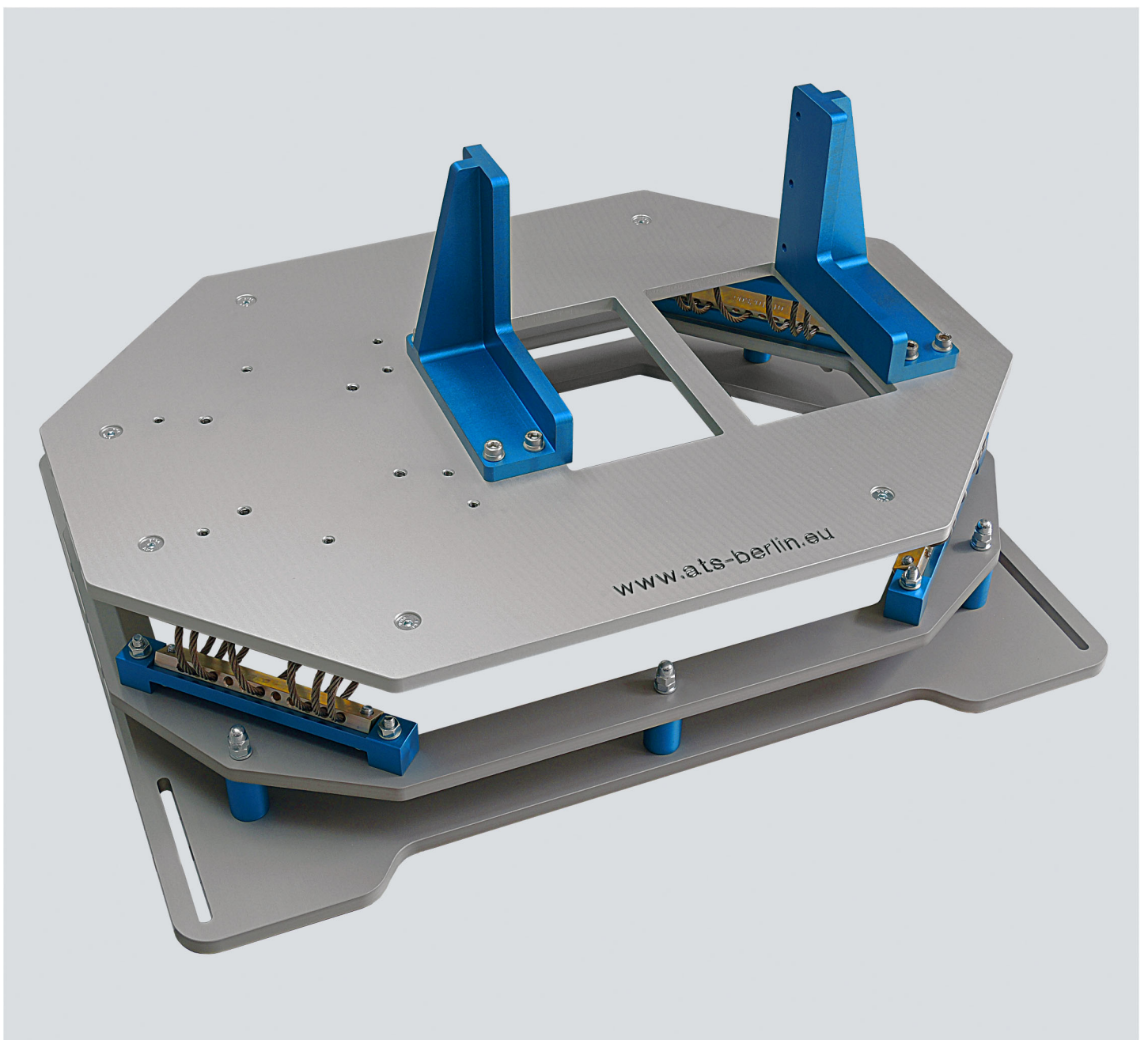


remote sensing systems from **ATS**

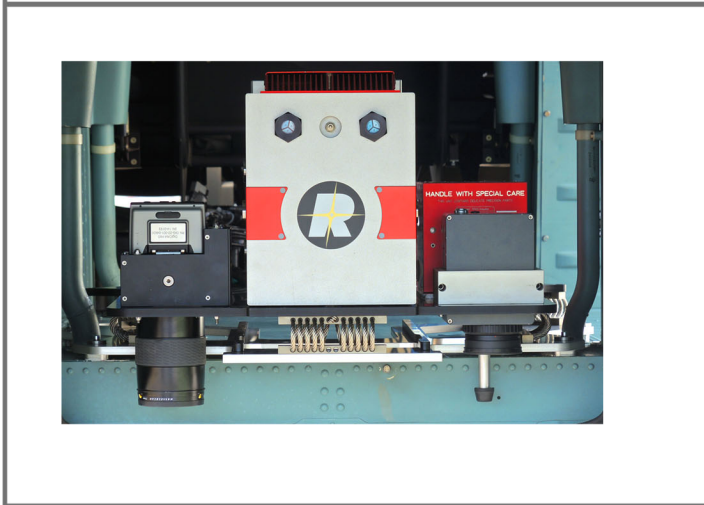
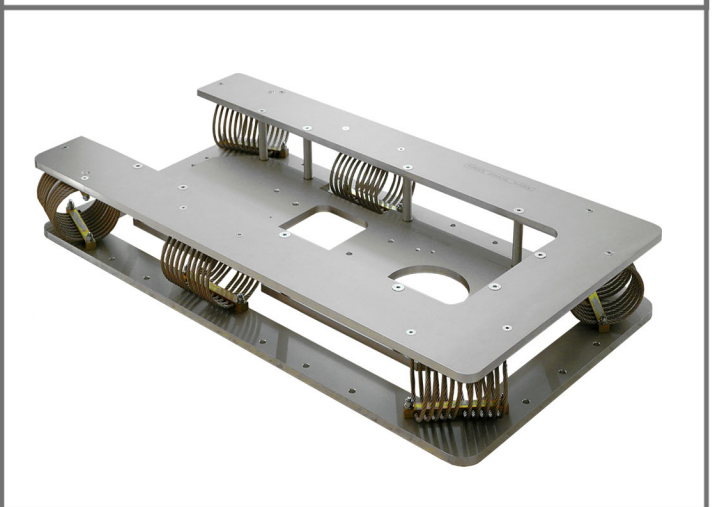
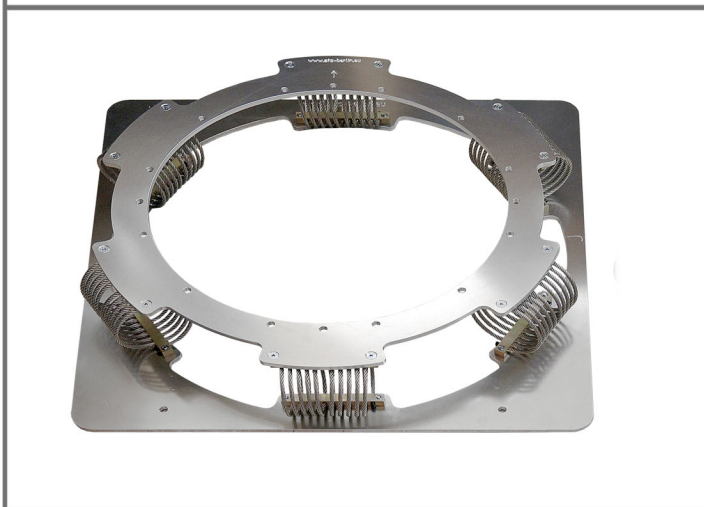
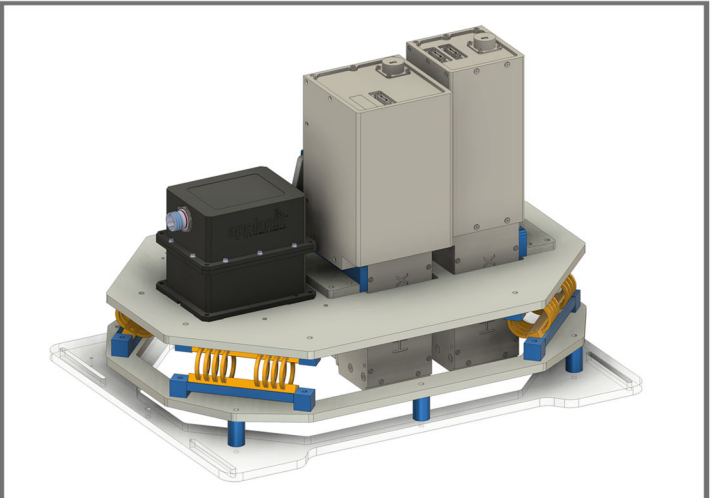
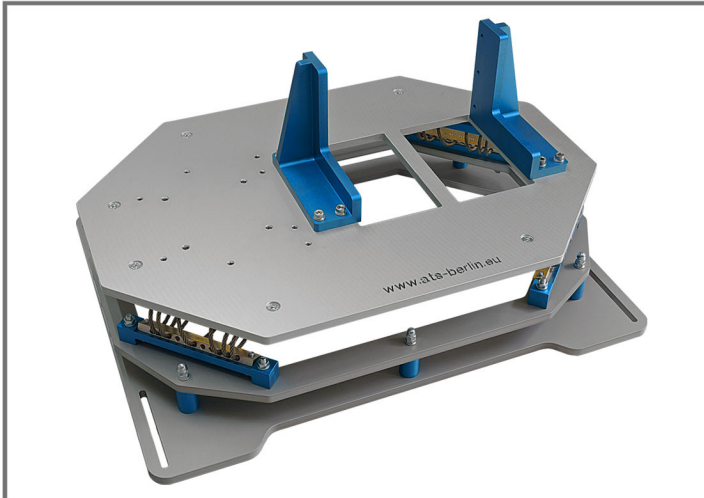
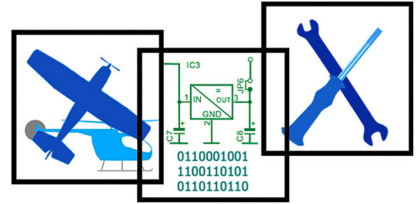


passive damping platforms for your remote sensing systems



Airborne Technical Systems
specialists in the field of airborne remote sensing

passive damping platforms



passive damping platforms for aerial cameras, laser scanners and sensitive remote sensing equipment. All damping platforms can be built to your dimensions and requirements. After determining the vibration frequencies and all parameters of your aircraft If the characteristics of the damping springs are identified, a high damping and decoupling of their systems from the vibrations of the aircraft is realized.

Airborne Technical Systems
<http://www.ats-berlin.eu>

Rheinsberger Str. 59 fon: (+49/30) 4432 4295
D-10115 Berlin fax: (+49/30) 4473 7663
Germany fu: +49/171 630 25 96
email: hp@ats-berlin.eu